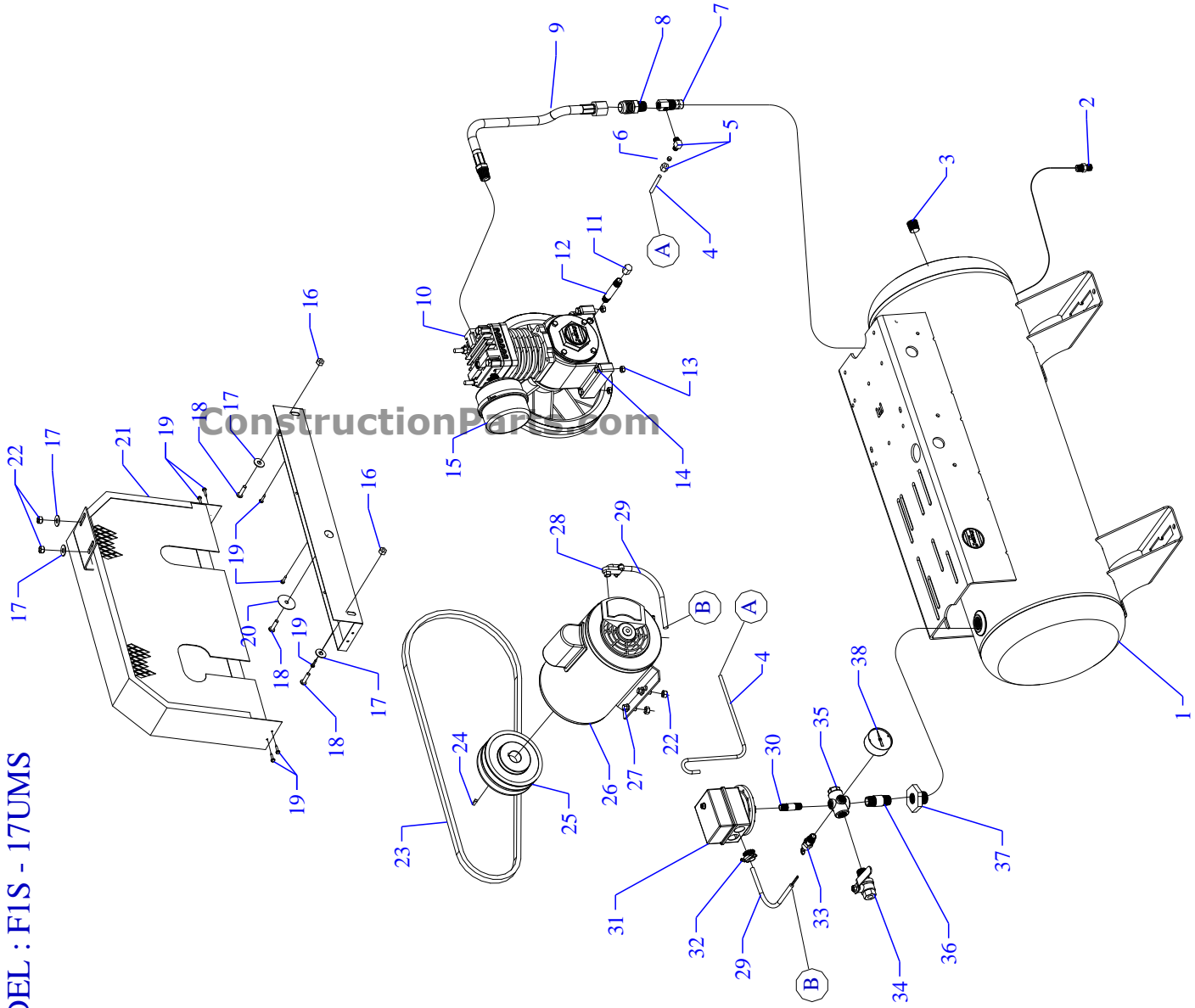


MODEL : F1S - 17UMS

ConstructionParts.com

888-634-4289



ConstructionParts.com

888-634-4289

JENNY PRODUCTS, INC.  
850 N. Pleasant Ave.  
Somerset, Pennsylvania 15501



## Parts List for Model F1S-17 Single Phase

NOTE: The quantity number indicates the total number of pieces required for a complete unit repair.  
When ordering parts give compressor model, serial number and part number. Order assemblies when possible.

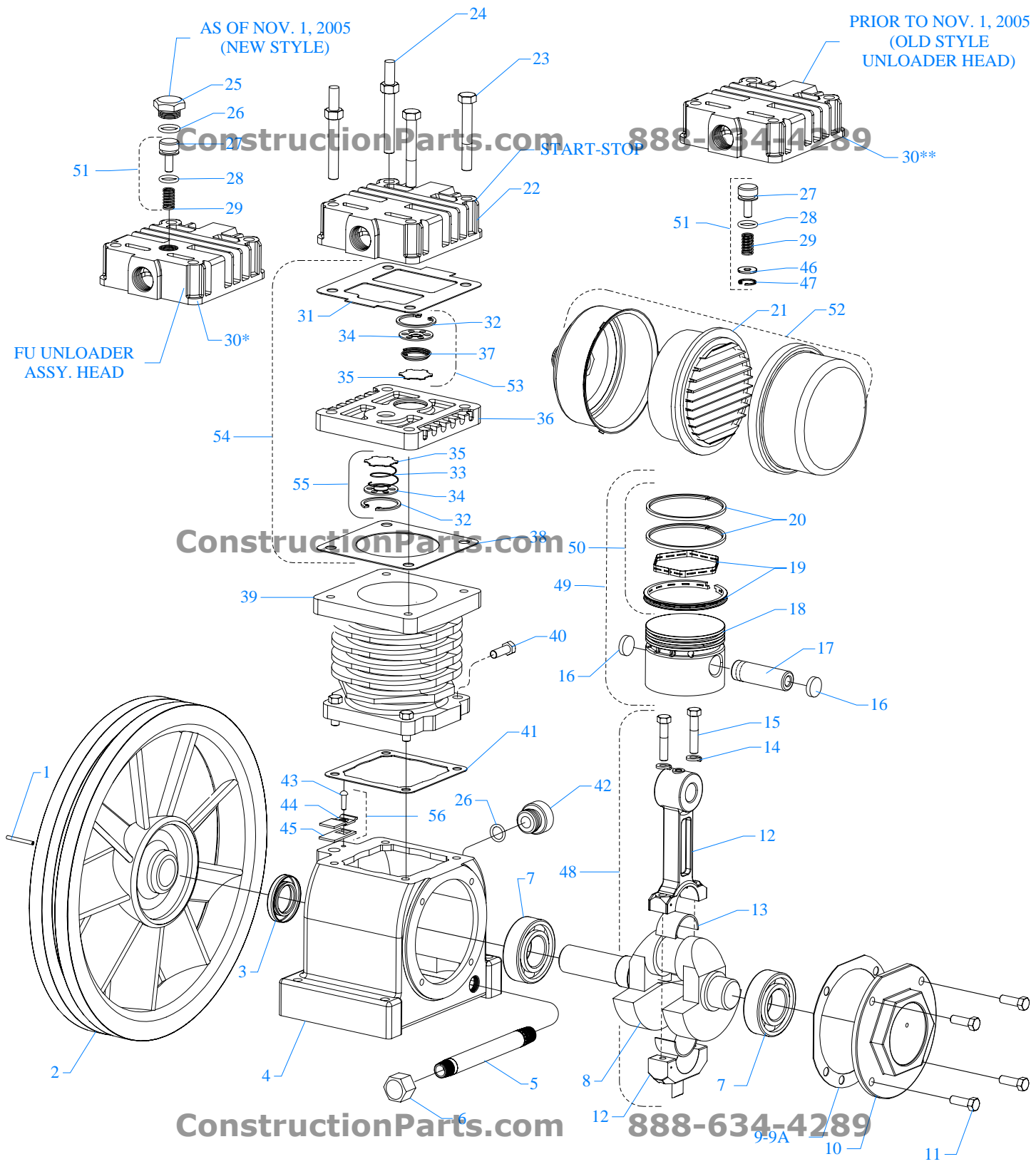
| <u>REF. NO.</u> | <u>PART NO.</u> | <u>DESCRIPTION</u>                       | <u>QTY.</u> |
|-----------------|-----------------|--|-------------|
| 1               | 411-1032        | TANK,HRZNTL,17G,UM,F&K&GE,H17UM-4        | 1           |
| 2               | 141-1058        | DRAIN,PETCOCK,BRASS,1/4"NPTM,DC14        | 1           |
| 3               | 122-1047        | PLUG,SOCKET,HEX,ST,PLTD,1/2" NPT         | 1           |
| 4               | 610-1090        | TUBE,CONTROL,COPPER,W/SLEEVE,1/4"X39"LG  | 1           |
| 5               | 121-1032        | ELBOW,MALE,COMPRESSION,BR,1/4TBX1/8"NPTM | 1           |
| 6               | 121-1080        | SLEEVE,COMPRESSION,BRASS,1/4"            | 1           |
| 7               | 141-1034        | VALVE,CHECK,INSERT,1/2"M X3/8"F,W/1/8"PT | 1           |
| 8               | 121-1005        | CONNECTOR,MALE,BRASS,1/2-45SAEX3/8"NPTM  | 1           |
| 9               | 360-1390        | AFTERCOOLER,HOSE,SS,TEFLON,5/8"ODX16-1/2 | 1           |
| 10              | 421-1001        | PUMP,CMPRSR,PISTON,REPLCMT,BLUE,F        | 1           |
| 11              | 122-1126        | CAP,HEX,MI,PLATED,1/4"NPT                | 1           |
| 12              | 122-1034        | NIPPLE,STEEL,SCH 40,1/4" X 5" L          | 1           |
| 13              | 120-1116        | NUT,LOCK,FLANGE,HEX,SERR,ST,PLTD,1/4-20  | 4           |
| 14              | 120-1220        | SCREW,CAP,HEXHD,GR5,ST,PLD,1/4-20X1-3/4  | 4           |
| 15              | 320-1121        | FILTER,W/DECALS,ASSY,G154S               | 1           |
| 16              | 120-1116        | NUT,LOCK,FLANGE,HEX,SERR,ST,PLTD,1/4-20  | 2           |
| 17              | 120-1075        | WASHER,FLAT,STEEL,PLATED,5/16"           | 4           |
| 18              | 120-1267        | SCREW,PAN HD,PHIL,STEEL,PLTD,1/4-20 X 1" | 3           |
| 19              | 120-1177        | SCREW,SELF DRILL,HEX,ST,PL,12 X 3/4      | 7           |
| 20              | 120-1072        | WASHER,FENDER,ST,PLATED,1/4"X1-1/2"OD    | 1           |
| 21              | 320-1177        | BELTGUARD,ELECTRIC,K,ASSY,BLUE,LOUVERED  | 1           |
| 22              | 120-1119        | NUT,LOCK,FLANGE,HEX,SERR,ST,PLTD,5/16-18 | 6           |
| 23              | 154-4L510       | BELT,VEE,A43,4L-510                      | 1           |



## Parts List for Model F1S-17 Single Phase

NOTE: The quantity number indicates the total number of pieces required for a complete unit repair.  
When ordering parts give compressor model, serial number and part number. Order assemblies when possible.

| <u>REF. NO.</u> | <u>PART NO.</u> | <u>DESCRIPTION</u>                       | <u>QTY.</u> |
|-----------------|-----------------|--|-------------|
| 24              | 120-1108        | KEY,STEEL,BLACK,3/16X3/16X 1-1/2" LENGTH | 1           |
| 25              | 154-1217        | PULLEY,CI,SG,8.0PDA,5/8,AK84X5/8         | 1           |
| 26              | 130-1010        | MOTOR,1HP,115-230/60/1,1725RPM,ODP       | 1           |
| 27              | 120-1018        | SCREW,FLANGE,HEX,SERR,ST,PLD,5/16-18X3/4 | 4           |
| 28              | 123-1032        | CONNECTOR,CABLE,BX,90 DEG,3/8"           | 1           |
| 29              | 123-1003        | WIRE,ASSY,BX,14/2,WITH GROUND            | 2FT         |
| 30              | 122-1137        | NIPPLE,CLOSE,STEEL,SCH 40,PLATED,1/4"    | 1           |
| 31              | 140-1079        | SWITCH,PSI,2HP,30-40#,UNLOADER,PAV 14-60 | 1           |
| 32              | 123-1029        | CONNECTOR,ROMEX,CLAMP,STRAIGHT,3/8"      | 1           |
| 33              | 141-1018        | VALVE,SAFETY,ASME,1/4",65 PSI,SVU65      | 1           |
| 34              | 141-1078        | VALVE,BALL,OUTLET,1/4 TURN,1/2"M X 1/2"F | 1           |
| 35              | 220-1059        | BLOCK,MANIFOLD,AL,5 PORT,SPRINKLER,MC-5S | 1           |
| 36              | 122-1088        | NIPPLE,STEEL,SCH 80,PLATED,1/2" X 2"     | 1           |
| 37              | 122-1206        | BUSHING,REDUCER,HEX,ST,PLTD,3/4" X 1/2"N | 1           |
| 38              | 142-1000        | GAUGE,PSI,200#,BK MT,JENNY,2",1/4NPT,PG2 | 1           |
| NOT SHOWN       | 610-1225        | KIT,ELEMENT,FILTER,G54E,PKG OF 4,G54EP   | 1           |
| NOT SHOWN       | 105-1209        | OIL,PUMP,SYNTHETIC,BLUE,1 QUART,ESQ      | 1           |



MODEL F & FU  
 One Cylinder Single Stage  
 2-1/2" Bore X 1-3/4" Stroke

JENNY PRODUCTS INC  
 850 N. Pleasant Ave.  
 Somerset, Pennsylvania 15501



## Parts List for Model F & FU Pump Assembly

NOTE: The quantity number indicates the total number of pieces required for a complete unit repair.  
When ordering parts give compressor model, serial number and part number. Order assemblies when possible.

| <u>REF. NO.</u> | <u>PART NO.</u> | <u>DESCRIPTION</u>                                 | <u>QTY.</u> |
|-----------------|-----------------|--|-------------|
| 1               | 120-1163        | PIN,ROLLED,COILED,STL,BLK,1/4ODX1L,K25             | 1           |
| 2               | 220-1093        | FLYWHEEL,K PUMP,CI,10-3/8,1 GROOVE,K23A            | 1           |
| 3               | 150-1036        | SEAL,OIL,LIP,SINGLE,0.875 DIA,K11E                 | 1           |
| 4               | 220-1000        | CRANKCASE,F PUMP,CI,MACHINED,F1                    | 1           |
| 5               | 122-1034        | NIPPLE,STEEL,SCH 40,1/4" X 5" L                    | 1           |
| 6               | 122-1083        | CAP,HEX,MI,1/4"NPT                                 | 1           |
| 7               | 150-1000        | BEARING,BALL,K9                                    | 2           |
| 8               | 220-1002        | CRANKSHAFT,F PUMP,CI,MACHINED,F20A                 | 1           |
| 9               | 104-1000-01     | GASKET,CAP,BEARING,F&K&G PUMP,1/32THK,L3           | 1           |
| 9A              | 104-1000-02     | GASKET,CAP,BEARING,F&K&G PUMP,1/64THK,L4           | 1           |
| 10              | 220-1001        | CAP,BEARING,K PUMP,CI,MACHINED,K2                  | 1           |
| 11              | 120-1004        | SCREW,CAP,HEXHD,GR5,ST,BLK,1/4-20X3/4 (10 FTLB)    | 4           |
| 12              | 310-1001-01     | ROD,CONNECTING,ALUM,MACHINED,L21L&L21K             | 1           |
| 13              | 150-1011        | BEARING,ROD,CONNECTING,PUMP,F,K,G                  | 2           |
| 14              | 120-1010        | WASHER,LOCK,SPLIT,ST,BLK,HIGH CLLR,1/4"            | 2           |
| 15              | 120-1010        | SCREW,ROD,STEEL,W/LOCK WASHER,1/4-20,L22 (10 FTLB) | 2           |
| 16              | 104-1103        | BUMPER,WRIST PIN,PLASTIC,K36A                      | 2           |
| 17              | 150-1005        | PIN,PISTON,STEEL,HARDENED,K35                      | 1           |
| 18              | 220-1005        | PISTON,PUMP,ALUMINUM,MACHINED,K32                  | 1           |
| 19              | 610-1065        | KIT,RING,OIL,W/EXPANDER,ASSY,K34                   | 1           |
| 20              | 150-1003        | RING,COMPRESSION,PISTON,STEEL,EBA 22,K33           | 2           |
| 21              | 150-1104        | ELEMENT,FILTER,AIR,COMPRESSOR,JENNY,G54E           | 1           |
| 22              | 220-1007        | HEAD,START/STOP,F PUMP,CI,MACHINED,F50             | 1           |
| 23              | 120-1028        | SCREW,CAP,HEXHD,GR5,ST,BLK,5/16-18X2-1/4 (22 FTLB) | 2           |



## Parts List for Model F & FU Pump Assembly

NOTE: The quantity number indicates the total number of pieces required for a complete unit repair.  
When ordering parts give compressor model, serial number and part number. Order assemblies when possible.

| <u>REF. NO.</u> | <u>PART NO.</u> | <u>DESCRIPTION</u>                                 | <u>QTY.</u> |
|-----------------|-----------------|--|-------------|
| 24              | 120-1252        | BOLT,STUD,HEX,ST,5/16-18X2-1/4X5/8,K52-1 (22 FTLB) | 2           |
| 25              | 122-1051        | PLUG,HEX ,BRASS,11/16-16 UN-2B X .550              | 1           |
| 26              | 104-1015        | RING,O,BUNA-N,1/2"IDX11/16"ODX3/32"THK             | 2           |
| 27              | 150-1028        | PISTON,UNLOADER,VALVE,BRASS,KU81                   | 1           |
| 28              | 104-1020        | RING,O,SILICON,7/16"IDX5/8"ODX3/32"THK             | 1           |
| 29              | 150-1020        | SPRING,VALVE,UNLOADER,INTAKE, KU83                 | 1           |
| 30              | 310-1005        | HEAD,UNLOADING,F PUMP,ASSY,FU180                   | 1           |
| 31              | 104-1005        | GASKET,HEAD,F PUMP,1/32THK,F51                     | 1           |
| 32              | 150-1041        | RETAINER,VALVE,STEEL,PAS,0.062"THK,K43             | 2           |
| 33              | 150-1017        | SPRING,CONE,SS,VALVE,INTAKE,K45                    | 1           |
| 34              | 109-1010        | VALVE,BUMPER,STEEL,K44                             | 2           |
| 35              | 109-1011        | VALVE,DISC,STAINLESS STEEL,K47                     | 2           |
| 36              | 220-1006        | PLATE,VALVE,F PUMP,CI,MACHINED,F40                 | 1           |
| 37              | 150-1018        | SPRING,CONE,SS,VALVE,DISCHARGE,K46                 | 1           |
| 38              | 104-1004        | GASKET,PLATE,VALVE,F PUMP,1/32THK,F41              | 1           |
| 39              | 360-1151        | CYLINDER,F PUMP,CI,PAINTED,BLUE,F30                | 1           |
| 40              | 120-1004        | SCREW,CAP,HEXHD,GR5,ST,BLK,1/4-20X3/4 (10 FTLB)    | 4           |
| 41              | 104-1003        | GASKET,CYLINDER,F PUMP,1/32THK,F31                 | 1           |
| 42              | 610-1021        | PLUG,CRANKCASE,FILL,OIL,W/O-RING,F14               | 1           |
| 43              | 120-1162        | PIN,GROOVE,STEEL,PLATED,# 7X1/2"LONG,K18           | 1           |
| 44              | 230-1001        | RETAINER,BREATHER,CRANKCASE,PLASTIC,F17            | 1           |
| 45              | 230-1000        | SEAL,BREATHER,CRANKCASE,RUBBER,F16                 | 1           |
| 46              | 150-1042        | WASHER,BRASS,1/32X 0.605ODX1/4 ID,KU84             | 1           |



## Parts List for Model F & FU Pump Assembly

NOTE: The quantity number indicates the total number of pieces required for a complete unit repair.  
When ordering parts give compressor model, serial number and part number. Order assemblies when possible.

| <u>REF. NO.</u>   | <u>PART NO.</u> | <u>DESCRIPTION</u>  | <u>QTY.</u> |
|-------------------|-----------------|---|-------------|
| 47                | 120-1167        | RETAINER,INTERNAL,ST,0.035X 0.665,KU85  | 1           |
| <b>Assemblies</b> |                 |   |             |
| 48                | 310-1043        | ROD,CONNECTING,W/BEARNG INSERT,L21L&L21K<br>INCLUDES 12,13,14(2),15(2)        | 1           |
| 49                | 610-1028        | PISTON,W/RINGS&PIN,ASSY,K132<br>INCLUDES 16(2), 17, 18, 19, 20(2)             | 1           |
| 50                | 610-1019        | KIT,PUMP,RING,PISTON,F PUMP,ASSY,F133<br>INCLUDES 19, 20 (2)                  | 1           |
| 51                | 610-1042        | VALVE,UNLOADER,HEAD,PUMP,ASSY,KU181<br>INCLUDES 27, 28, 29, 46, 47            | 1           |
| 52                | 320-1121        | FILTER,W/DECALS,ASSY,G154S  | 1           |
| 53                | 610-1031        | VALVE,SUCTION,ASSY,K145<br>INCLUDES 32, 33, 34, 35                            | 1           |
| 54                | 610-1023        | PLATE,VALVE,W/VALVES,ASSY,F140<br>INCLUDES 31, 36, 38, 53, 55                 | 1           |
| 55                | 610-1032        | VALVE,DISCHARGE,ASSY,K146<br>INCLUDES 32, 34, 35, 37                          | 1           |
| 56                | 610-1018        | VALVE,BREATHER,CRANKCASE,F PUMP,ASY,F119<br>INCLUDES 43, 44, 45               | 1           |
| 57                | 610-1016        | KIT,GASKET,F PUMP,ASSY,F100<br>INCLUDES 9, 9A, 31, 38 ,41                     | 1           |
| 58                | 610-1139        | KIT,BASIC,REPAIR,F PUMP,F101<br>INCLUDES 21, 50, 53, 55, 56, 57 W/G54E        | 1           |
| 58A               | 610-1139        | KIT,BASIC,REPAIR,F PUMP,F101<br>INCLUDES 50, 53, 55, 56, 57 W/F54 OLD STYLE   | 1           |
| 59                | 610-1140        | KIT,BASIC,REPAIR,FU PUMP,FU101<br>INCLUDES 51, 58 W/G54E                      | 1           |
| 59A               | 610-1140        | KIT,BASIC,REPAIR,FU PUMP,FU101<br>INCLUDES 50, 53, 55, 56, 57 W/F54 OLD STYLE | 1           |
| NOT SHOWN         | 230-1002        | FILTER,AIR,INSERT,FOAM,PUMP F,F54 Old Style                                   | 1           |
| NOT SHOWN         | 610-1024        | KIT,FILTER,INSERT,PKG OF 6,F PUMP,F54P  | 1           |
| NOT SHOWN         | 105-1209        | OIL,PUMP,SYNTHETIC,BLUE,1 QUART,ESQ   | 1           |